

NP-5xxm Series

7", 8", 10, 12", 15" TOUCH PANEL SYSTEM



Features

- Variety of LCD Panel Size Selections
- Flat Front Panel with IP65 Design
- Solid Aluminum Die-casting Chassis

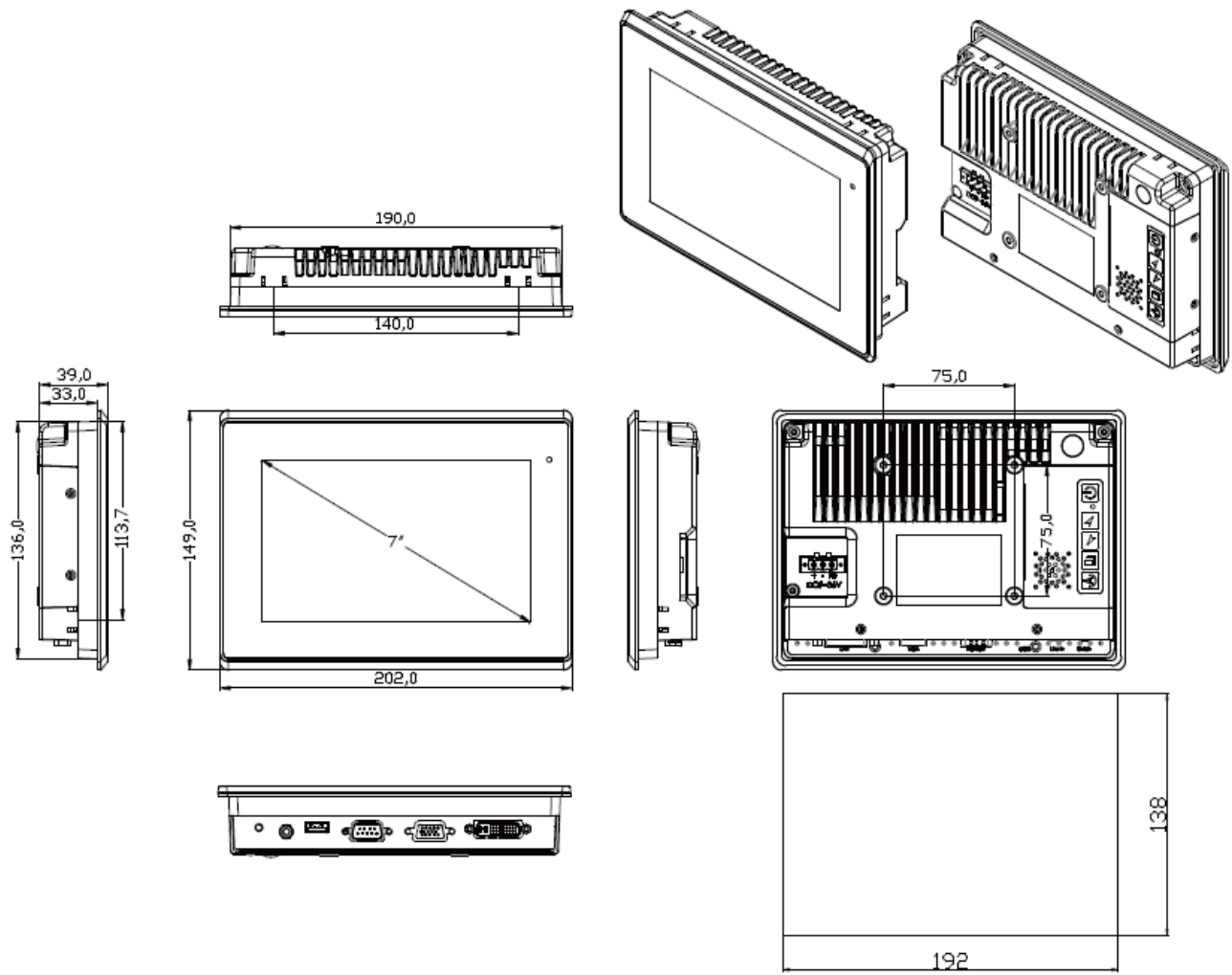
NP-5xxm series

Specifications

	NP-507m	NP-508m	NP-510m	NP-512m	NP-515m
Display					
Display Type	7" TFT-LCD	8" TFT-LCD	10.1" TFT-LCD	12.1" TFT-LCD	15" TFT-LCD
Max. Resolution	800x480	800x600	1280x800	800x600	1024x768
Max. Color	262K	262K	262K	262K	16.2M
Luminance (cd/m ²)	350	350	350	330	330
Viewing Angle (Degree)	120/140	125/140	160/160	160/140	170/170
Touch screen					
Type	Resistive or Projected Capacitive Touch Screen Options				
Light Transmission	80% (for Resistive model) / 90% (for Projected Capacitive model)				
Backlight Lifetime	40,000 Hours				50,000 Hours

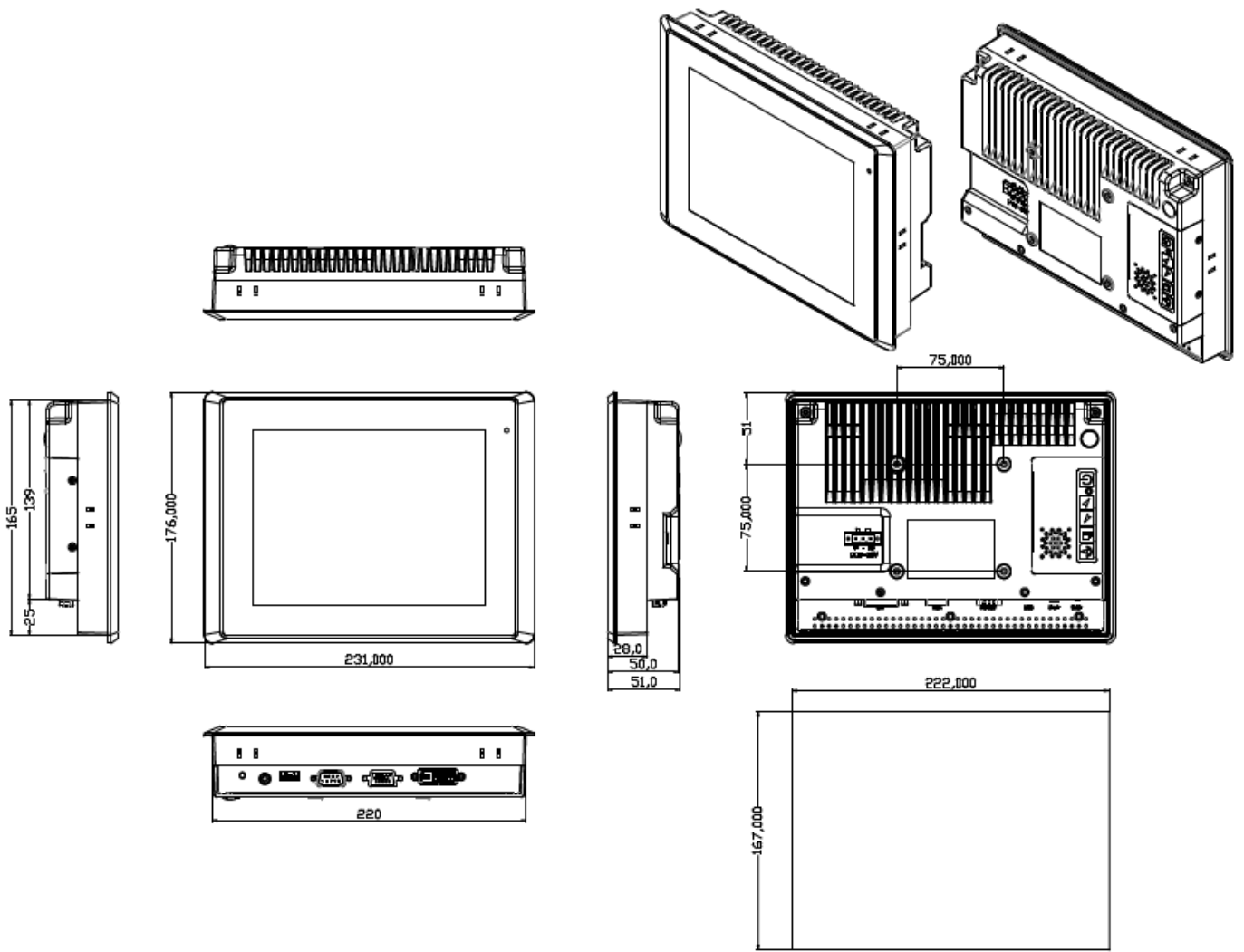
On Screen Display Control	On board controller, extendable key pad from connector TRANSFER BOARD OSD MEMBRANE KEYPAD				
External I/O Port	1 x Line-in by Phone Jack				
	1 x VGA 1 x DVI 1 x 3pin Terminal Block DC Power Input 5 Keys OSD Control Membrane 1 x Tack Switch for VGA/DVI 1 x RS-232 Touch Screen Interface (Resistive Touch Screen option) 1 x USB Touch Screen Interface				
Power Supply	Included				
Power Input	9~36V DC				
Mechanical					
Construction	Sliver aluminum front bezel and chassis				
IP Rating	IP65 front panel				
Mounting	Panel mounting, VESA 75 x 75		Panel mounting, VESA 100 x 100		
Dimensions (WxHxD)(mm)	200 x 146 x 39	231 x 176 x 50	285 x 189 x 49	317 x 243 x 53	410 x 310 x 53
Net Weight	1.0 Kgs 2.2 Lbs	1.8 Kgs 3.96 Lbs	1.9 Kgs 4.19 Lbs	2.6 Kgs 5.73 Lbs	4.3 Kgs 9.48 Lbs
Environmental					
Operating Temperature	0~50C				
Storage Temperature	-20~60C				
Relative Humidity	10 to 90% @ 40°C, non- condensing				
Certificate	CE / FCC Class A				

Dimension
NP-507m



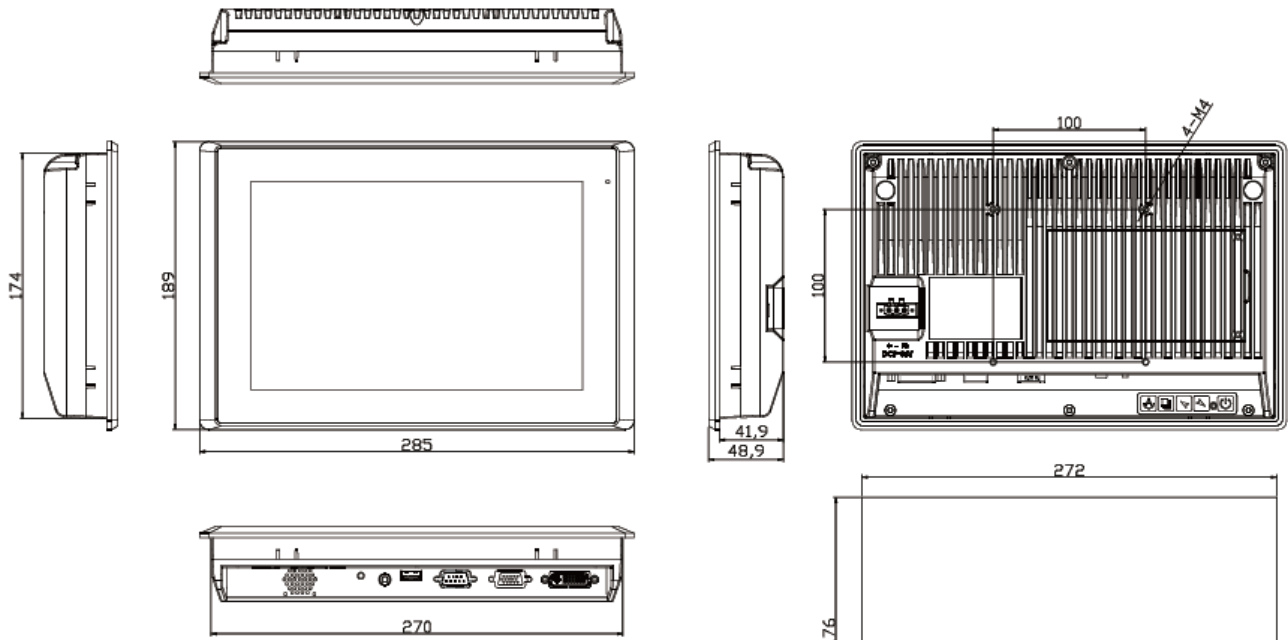
Mounting Hole Size

NP-508m



Mounting Hole Size

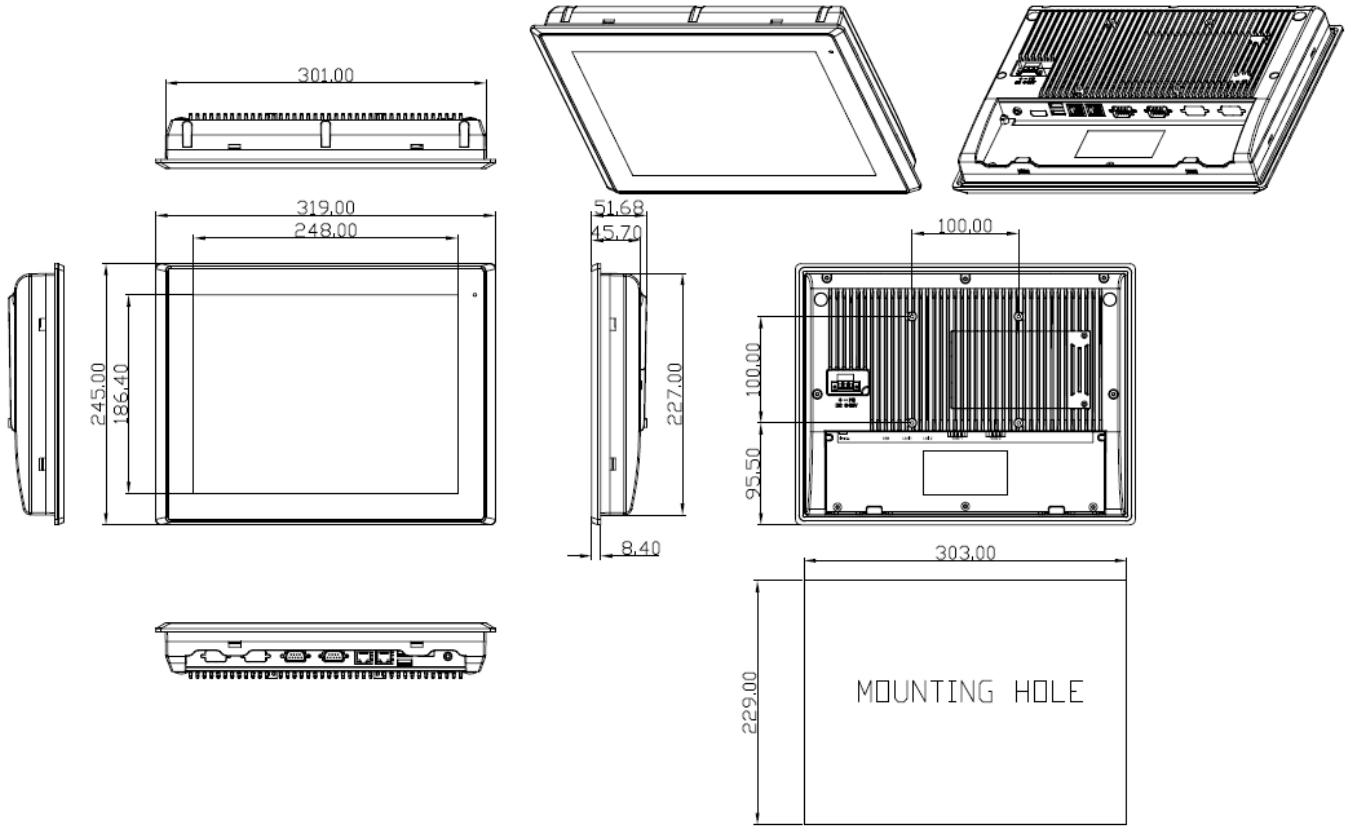
NP-510m



UNIT: mm
Tolerance: ± 0.5

Mounting Hole Size

NP-512m



NP-515m

