

NP4XX-BIPC

Button Integrated Industrial PC Windows 10 IoT, Windows 11 IoT, Ubuntu



NP-4XX-BIPC features a fan less design with the Intel Quad-Core Celeron N3350 (2.4 GHz) CPU. The NP-4XX-BIPC is designed to provide a cost-effective and versatile solution for a wide variety of industrial and commercial applications. Meet the requirements of your application with optional Windows 10 IoT, Windows 11 IoT or Ubuntu Operating System.

Specifications

	NP-416BIPC	NP-421BIPC
System		
CPU	Onboard Intel® 11 th Gen (Tiger Lake-UP3) Processors: Core i3-1115G4E (2C, 2.2 GHz, 15W TDP) Core i5-1145G7E (4C, 1.5 GHz, 15W TDP)	
Memory	2 x SO-DIMM up to 64GB DDR4 3200MHz (Dual Channel, Non-ECC)	
LVDS	1 x 18/24 bit Dual Channel	
Outside IO Port		
USB	1 x USB2.0 (Type A)-Front 4 x USB 3.2(Type-A)-Rear 1 x USB 3.2 GEN2 Type C-Rear	
Serial/Parallel	1 x COM (RS-232/422/485, option)-COM1 1 x COM(RS-232/422/485, support 5V/12V/RI, option)-COM2	
LAN	1 x Intel i219LM RJ45 GbE LAN 1 x Intel i225LM, RJ45 2.5G LAN	
Power	1 x 3-pin Phoenix Connector for DC power	
Storage Space		
Storage	1 x M.2 M-Key 2280 (PCIex4) Socket for Optional PCIe/NVME SSD	
Expansion		

Expansion Slot	<p>1 x M.2 2230 E-Key (PCIex2+USB2.0) socket for WIFI/BT and Antenna at rear side (option)</p> <p>1 x Full-size mPCIe/mSATA (mSATA as default, select by BIOS)</p> <p>1 x Nano SIM Card</p>
----------------	---

Functional Buttons: Supports RAFI RAFIX-22-FS Series



<p>Default Button:</p> <p>1 x USD2.0 Type A with Cover</p> <p>1 x Push Button/Green for START</p> <p>1 x Push Button/Red for STOP</p> <p>1 x Push Button/Blue for Reset</p> <p>1 x Emergency Stop Button</p>	<p>Option Button:</p> <p>3 x Push Button/Black for Self-Defined</p> <p>1 x Key switch</p>
---	--

Display – Standard LCD

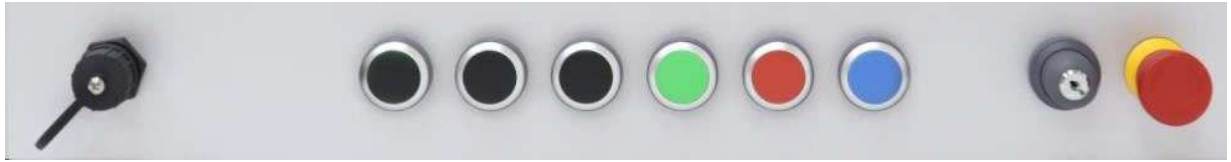
Display Type	15.6" TFT LCD	21.5" TFT LCD
Max. Resolution	1920 x 1080	1920 x 1080
Max. Color	16.7M	16.7M
Luminance (cd/m ²)	500 nits	250 nits
Contrast Ratio	1000:1	1000:1
Viewing Angle(H/V)	178/178	178/178
Backlight Lifetime	50,000hrs	50,000hrs
Option	Optical bonding	

Display – High Brightness LCD (option)

Display Type	15.6" TFT LCD	21.5" TFT LCD
Max. Resolution	1920 x 1080	1920 x 1080
Max. Color	16.7M	16.7M
Luminance (cd/m ²)	1000 nits	1000 nits
Contrast Ratio	1000:1	1000:1
Viewing Angle(H/V)	170/170	174/174
Backlight Lifetime	50,000hrs	30,000hrs

Expansion Slot	1 x M.2 2230 E-Key (PCIex2+USB2.0) socket for WIFI/BT and Antenna at rear side (option) 1 x Full-size mPCIe/mSATA (mSATA as default, select by BIOS) 1 x Nano SIM Card
----------------	--

Functional Buttons: Supports RAFI RAFIX-22-FS Series



<p>Default Button:</p> <ul style="list-style-type: none"> 1 x USD2.0 Type A with Cover 1 x Push Button/Green for START 1 x Push Button/Red for STOP 1 x Push Button/Blue for Reset 1 x Emergency Stop Button 	<p>Option Button:</p> <ul style="list-style-type: none"> 3 x Push Button/Black for Self-Defined 1 x Key switch
---	--

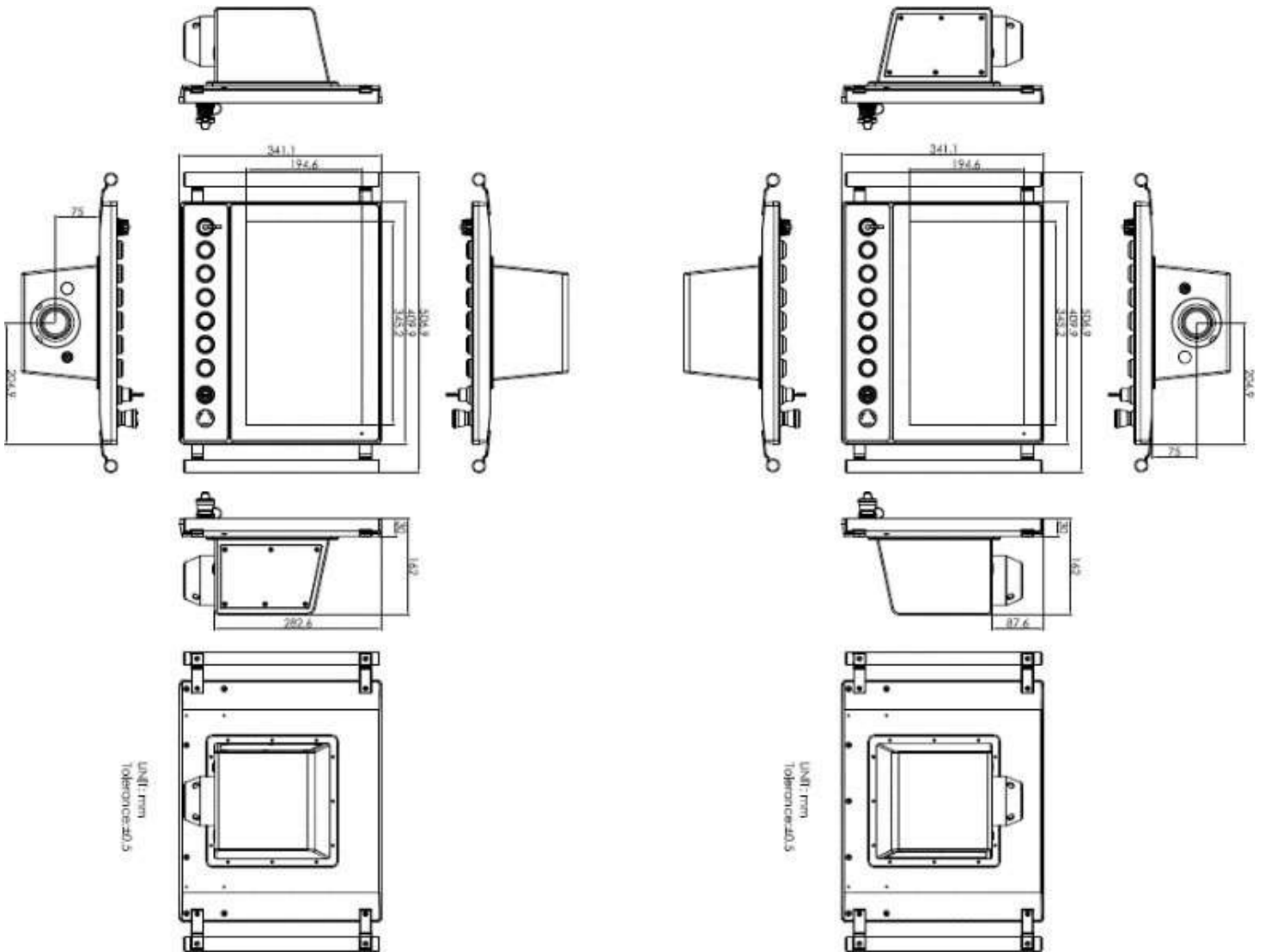
Display – Standard LCD

Display Type	15.6" TFT LCD	21.5" TFT LCD
Max. Resolution	1920 x 1080	1920 x 1080
Max. Color	16.7M	16.7M
Luminance (cd/m ²)	500 nits	250 nits
Contrast Ratio	1000:1	1000:1
Viewing Angle(H/V)	178/178	178/178
Backlight Lifetime	50,000hrs	50,000hrs
Option	Optical bonding	

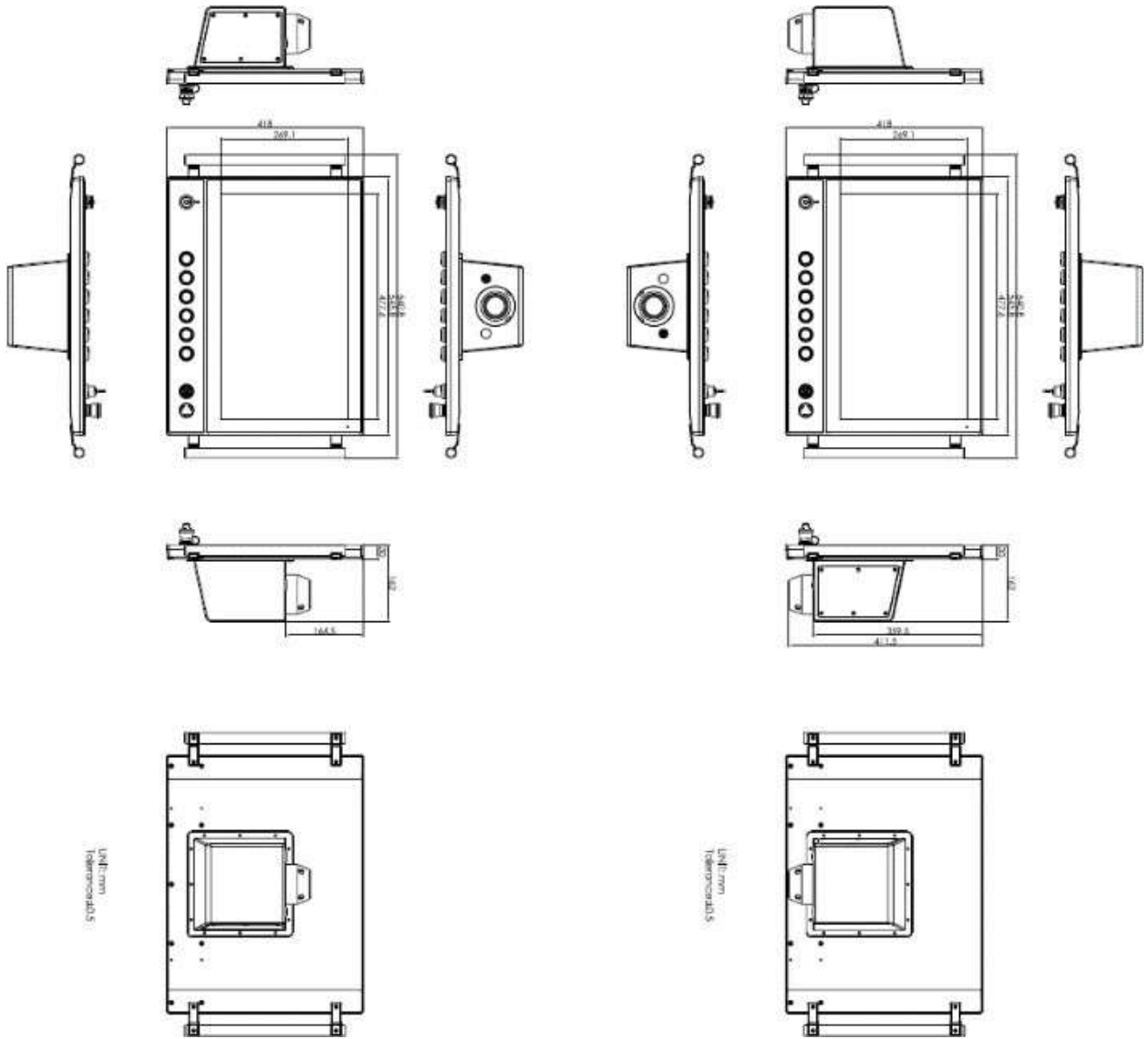
Display – High Brightness LCD (option)

Display Type	15.6" TFT LCD	21.5" TFT LCD
Max. Resolution	1920 x 1080	1920 x 1080
Max. Color	16.7M	16.7M
Luminance (cd/m ²)	1000 nits	1000 nits
Contrast Ratio	1000:1	1000:1
Viewing Angle(H/V)	170/170	174/174
Backlight Lifetime	50,000hrs	30,000hrs

Dimensions



NP-416BIPC(H)



NP-421BIPC(H)